



**JELD WEN**  
WINDOWS & DOORS

DesignGlide™  
Soft-Close Barn Door Hardware



# Hardware designed to turn any standard-sized door into a barn door

DesignGlide™ is the only barn door hardware that transforms standard-sized doors into barn doors. No reframing or custom doors required. Create the doorway of your dreams with this easy to use patent-pending system.

Our unique hardware is much more than functional, it adds a distinct touch to your barn door. And it's versatile, whether you opt for modern or traditional, our hardware is the perfect accent.

The soft-close technology also keeps the door from slamming shut. Doors close just like your kitchen drawers—softly, quietly and smoothly. With DesignGlide, you can do it yourself, without reframing or buying custom doors.



# All you need to create a barn door is DesignGlide™

## Finishes:



Satin Nickel



Matte Black

## Sizing:

- 72" track fits 36" x 80" x 1 3/8" doors up to 120 pounds
- 84" track fits 42" x 80" x 1 3/8" doors up to 120 pounds

\*Door slab not included in kit.

## Tools Needed for Installation:

- |   |  |
|---|--|
| <input type="checkbox"/> Multiple size drill bits | <input type="checkbox"/> Phillips head screwdriver |
| <input type="checkbox"/> Drill                    | <input type="checkbox"/> Adjustable wrench         |
| <input type="checkbox"/> Two clamps               | <input type="checkbox"/> Safety glasses            |
| <input type="checkbox"/> Stud finder              | <input type="checkbox"/> Pen/pencil                |
| <input type="checkbox"/> Level                    |  |

Optional: Forstner bit and handsaw



# Convert your new or salvaged doors today

## DesignGlide™ Kits Include:

All fastening hardware included.



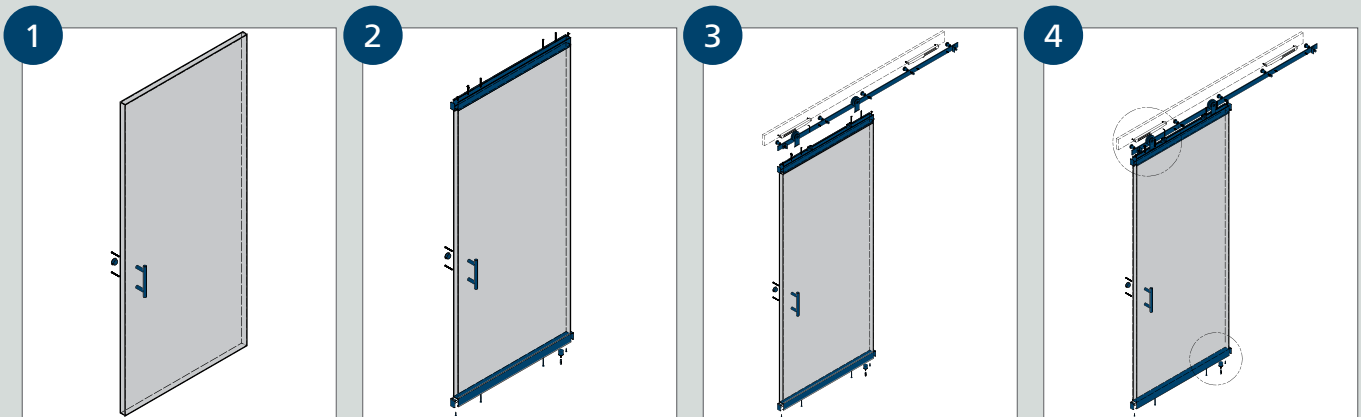
Matte Black



Satin Nickel

## Installation Steps:

Install your barn door in four easy steps.



1. Install door hardware.

2. Place top and bottom accent rails.

3. Attach track and backerboard.

4. Hang your door.



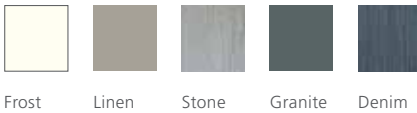
Shown: Madison® Door in White with Satin Nickel Hardware



# Contemporary

Contemporary literally means "of the moment." Straight lines and tone-on-tone color palettes define this style. Sleek, casual and inviting, contemporary design is simple yet stunning.

### Recommended Finish Options:



### Recommended Doors:



Studio SL230



MODA™ 1035



Shown: Model 1515 Door in a Custom Finish with Matte Black Hardware

# Farmhouse

Farmhouse style was borne from necessity and originally reflected the life of rural areas. In the 21st century, farmhouse style still takes from its roots but has transformed into a modern love for the land and its bounty. Simplicity and a do-it-yourself attitude come through with recycling, upcycling and renovating. You'll often find a lot of white, rustic accents and planked walls.

## Recommended Finish Options:



Marine Denim Colony



Linen Shortbread

## Recommended Doors:



Z-Design—Knotty Alder



IWP® Wood—E0442





Shown: Woodview™ Collection—Craftsman III™ Door in Espresso with Satin Nickel Hardware

Recommended  
Finish Options:



Linen Mink Juniper



Chocolate Espresso

Recommended Doors:



Woodview™ Collection  
Madison®—Chocolate



Woodview™ Collection  
Monroe®—Espresso

# Modern Craftsman

Modern Craftsman maintains the charm of Craftsman, a quintessential 20th century American expression of the Arts & Crafts movement, while modernizing interior layouts. Craftsman style attributes include thick square or round columns, stone porch supports, low-pitched roofs, wide eaves and triangular brackets. It's simply style with soul.





# Old World

Comfortable and broken-in exemplify old world style. Old world decor frequently has textured walls, hand-trawled windows and walls and tumbled marble. Distressed matte and honed finishes are set against deep color. Rough-hewn beams are juxtaposed with arched doorways and windows, blending the masculine and feminine in seamless old world style.

## Recommended Finish Options:



Onyx Espresso Amaretto Black Cherry Juniper

## Recommended Doors:



Authentic Wood  
0028



IWP® Wood  
E1321

Shown: Model 1509 in Custom Finish with Matte Black Hardware



© 2017 JELD-WEN, Inc. This publication and its contents are owned or licensed by JELD-WEN, Inc., its affiliates, licensors, or third parties, and are protected by copyright, trademark, and other laws. Unauthorized use or duplication is prohibited. JELD-WEN reserves the right to change product specifications without notice. Please visit our website, [jeld-wen.com](http://jeld-wen.com), for current information. All rights reserved.

10-95843 06/17